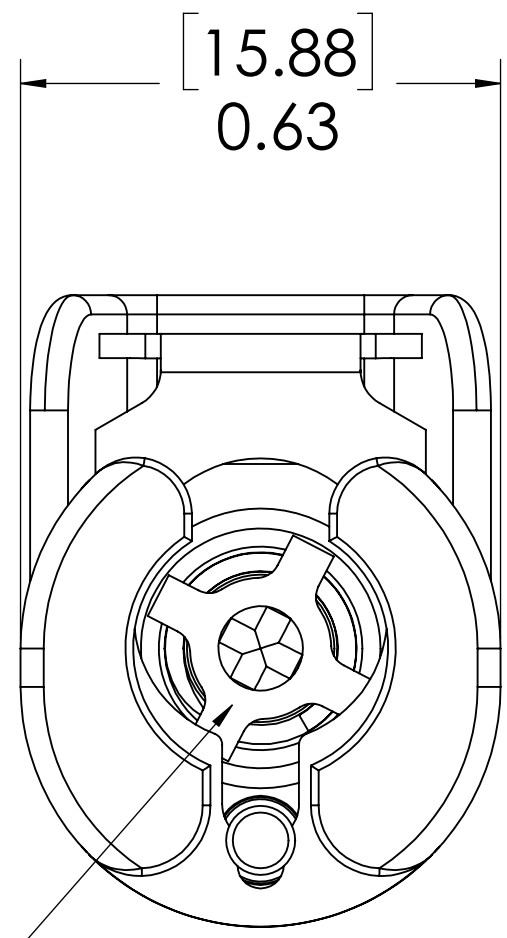
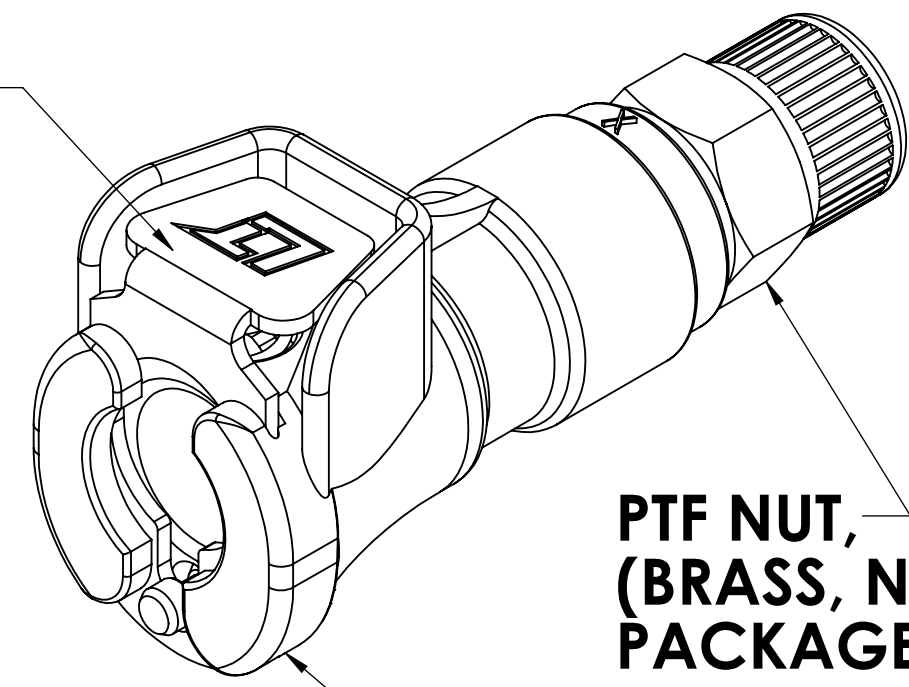


| REVISIONS | | | | | | |
|-----------|------|------|-------|---------------------------------|-----------|----------|
| SHEET | ZONE | REV. | ECO | DESCRIPTION | DATE | APPROVED |
| 1 | ALL | A | 50242 | PIN, PIN SPRING & FORMAT UPDATE | 11/1/2017 | HRC |

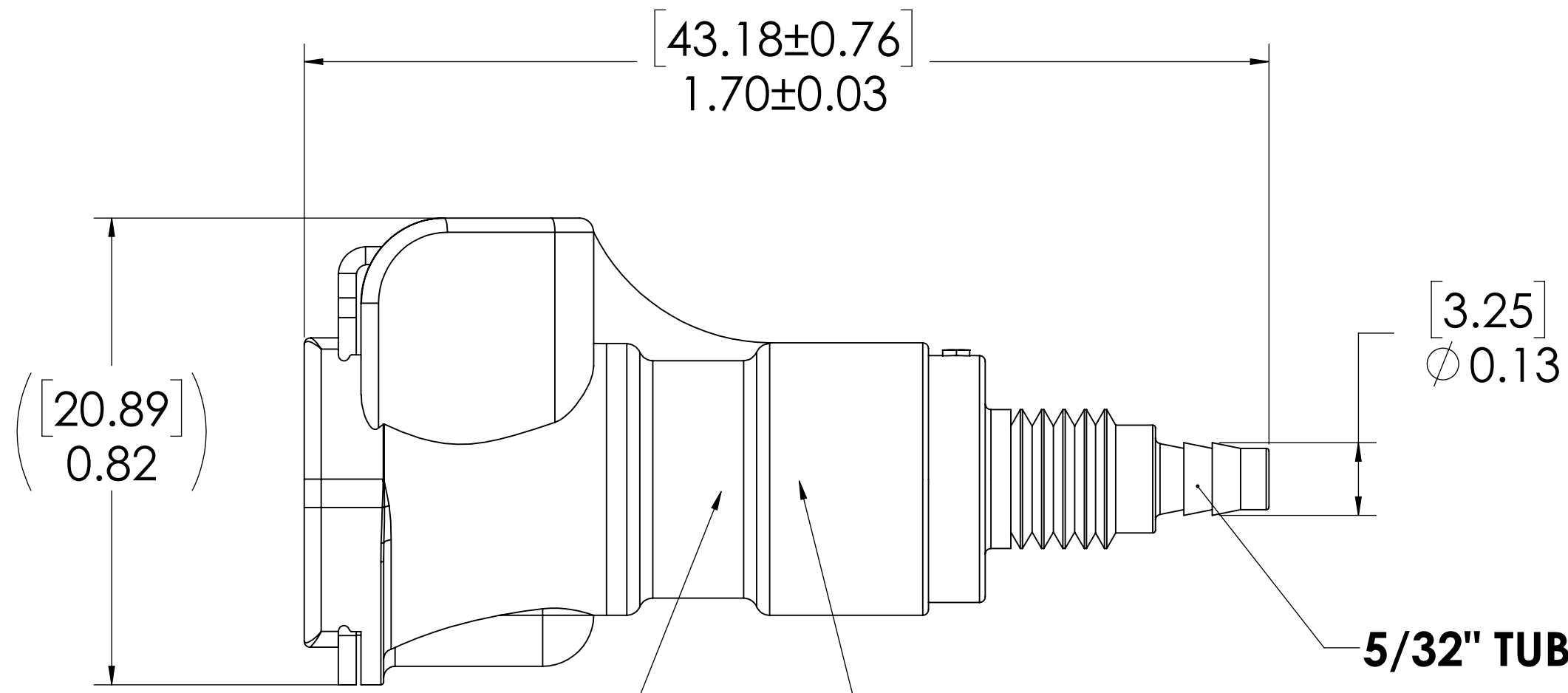
**LATCH
HARDWARE,
(STAINLESS STEEL)**

**PTF NUT,
(BRASS, NICKEL PLATED)
PACKAGED SEPARATELY**

**SOCKET,
(ACETAL)**



**VALVE,
(ACETAL)**



**O-RING
INTERNAL,
(BUNA-N)**

**VALVE
SPRING,
(STAINLESS STEEL)**

5/32" TUBE OD

NOTES:

1. MATERIAL: ACETAL
2. COLOR: NATURAL WHITE
3. O-RING MATERIAL: BUNA-N
4. O-RINGS LUBRICATED WITH FOOD GRADE SILICONE OIL, 350 CST.

FOR REFERENCE ONLY

| | | | | |
|---|-----------|----------------------------------|-----------|---|
| <small>UNLESS OTHERWISE SPECIFIED: DIMENSIONS ARE IN INCHES TOLERANCES: FRACTIONAL ± 1/32 ANGULAR: MACH ± 0.5 BEND ± 2 ONE PLACE DECIMAL ± 0.1 TWO PLACE DECIMAL ± 0.01 THREE PLACE DECIMAL ± 0.005 TWO PLACE DECIMAL (mm) [± 0.12]</small> | DRAWN | RDA | 7/26/2017 | |
| | CHECKED | HRC | 7/26/2017 | |
| | ENG APPR. | HRC | 1/9/20 | |
| | MFG APPR. | BDB | 1/9/20 | |
| <small>PROPRIETARY AND CONFIDENTIAL THE INFORMATION CONTAINED IN THIS DRAWING IS THE SOLE PROPERTY OF LINKTECH LLC. ANY REPRODUCTION OR DISCLOSURE IN PART OR AS A WHOLE WITHOUT THE WRITTEN PERMISSION OF LINKTECH LLC IS STRICTLY PROHIBITED.</small> | Q.A. | LS | 1/9/20 | PART NO: 20ACV-SB9-025 DESCRIPTION: LinkTech 20AC Series Straight Female, Valved, 5/32 PTF, Natural Acetal |
| SIZE DWG. NO. REV C 20AC200106 A | | SCALE: NTS WEIGHT: | | SHEET 1 OF 1 |